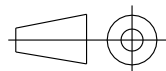
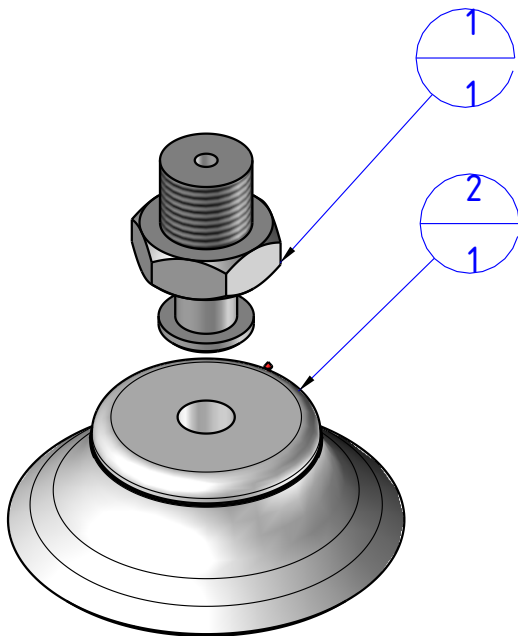
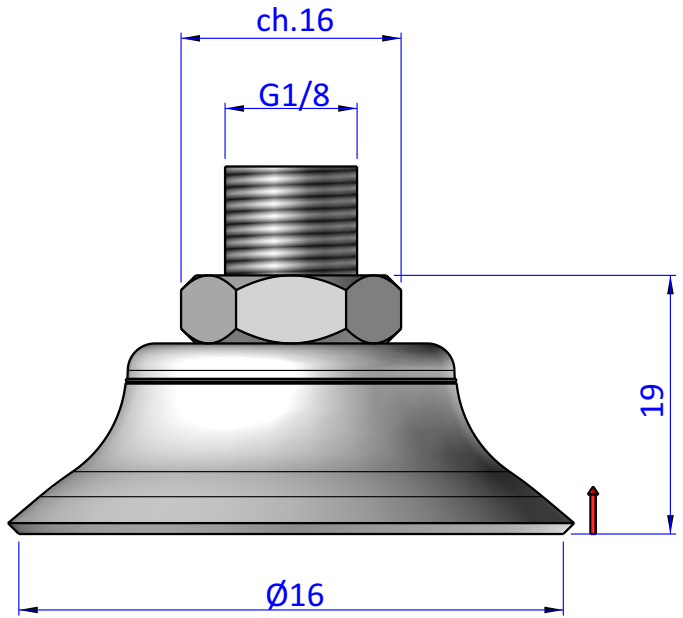


THE PROPERTY OF THE DRAWING IS ESTABLISHED BY LAW. IT IS FORBIDDEN TO PRODUCE OR SHOW IT TO THIRD PART. WITHOUT A WRITTEN AGREEMENT.

Item	Name	Q.ty
1	CA.08.09.017	1
2	CA.08.28.010	1



DESIGNED FROM	FPS Automation		REVIEW	A
DATE	07/01/2021	WEIGHT	0,014kg	
CODE	KIT.08.28.D40			

Format A4	GENERAL TOLERANCE	DESCRIPTION
UNI 936-76	UNI - ISO 2768 CLASSE f	KIT.08.28.D40